

## Bore Gages for Blind Holes

New model measures blind-hole diameter with high accuracy and high durability



SMALL TOOL INSTRUMENTS AND DATA MANAGEMENT



UTENSILERIA - BULLONERIA  
**BAILER ITALIANA**

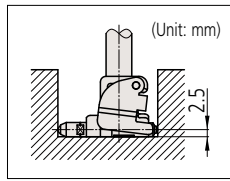
Via M.V. De Vizzi , 25 - 20092 CINISELLO BALSAMO ( MI )  
Telefono : 02 61 70 364 - 02 61 85 996 Fax : 02 61 29 05 30  
web : [www.bailer.it](http://www.bailer.it) e-mail : [info@bailer.it](mailto:info@bailer.it)

**NEW**  
Products

# Bore Gages for Blind Holes

## FEATURES

- Capable of ID (inside diameter) measurement close to the bottom of a hole.
- Pendulum guide structure improves sliding.
- Carbide contact faces for durability.
- Grip is large and hollow to reduce effect of body heat on high-accuracy measurements.
- Extension rods (optional) can be attached for measuring deep holes.



- A Bore Gage Checker and a range of Setting Rings are available to aid in accurately setting a gage before making a measurement.
- Alternative indicators may be used in place of those recommended\*.

\* Some indicators and protection covers cannot be used with these bore gages. Contact a Mitutoyo sales office if considering the use of Dial or Digimatic indicators other than the recommended models.

## SPECIFICATIONS

Order No.	511-415	511-425	511-435	511-416	511-426	511-436	511-417	511-427	511-437
Measuring range	15-35mm			35-60mm			50-150mm		
Indicators (low/high resolution)	-	2046SB	2109SB-10	-	2046SB	2109SB-10	-	2046SB	2109SB-10
Accuracy	Wide-range accuracy			4µm					
	Repeatability			1µm					
	Adjacent error			1µm					
Effective stroke of contact rod				1.2mm					
No. of anvils	11			6			11		
No. of replacement washers	1			4			4		

Order No.	511-418	511-428	511-438	511-419	511-429	511-439	511-420	511-430	511-440
Measuring range	6"-1.4"			1.4"-2.4"			2"-6"		
Indicators (low/high resolution)	-	2922SB	2923SB-10	-	2922SB	2923SB-10	-	2922SB	2923SB-10
Accuracy	Wide-range accuracy			.00016"					
	Repeatability			.00004"					
	Adjacent error			.00004"					
Effective stroke of contact rod				.047"					
No. of anvils	11			6			11		
No. of replacement washers	1			4			4		

Notes: 1) A 10mm (.4") sub-anvil is supplied with **511-415/425/435/418/428/438** and a 50mm (2") sub-anvil is supplied with **511-417/427/437/420/430/440**.

2) It is not permissible to use a sub-anvil other than as supplied as a standard accessory, or widen a measuring range by using multiple sub-anvils. (The measurement accuracy in such cases is not guaranteed.)

### Recommended dial indicators

Metric : **2046SB** (0.01mm)  
 models **2972TB** (0.01mm - One revolution type)  
**2109SB-10** (0.001mm)  
**2900SB-10** (0.001mm - One-revolution type)

Inch : **2922SB** (.0005")  
 models **2977TB** (.0005" - One-revolution type)  
**2923SB-10** (.0001")  
**2910SB-10** (.0001" - One-revolution type)

### Recommended digimatic indicators

Metric models: **543-310B** (0.001mm)  
 Inch models: **543-312B** (0.001mm/.00005")  
 Note: Indicators equipped with rubber bellows, such as waterproof types, cannot be used.



511-426



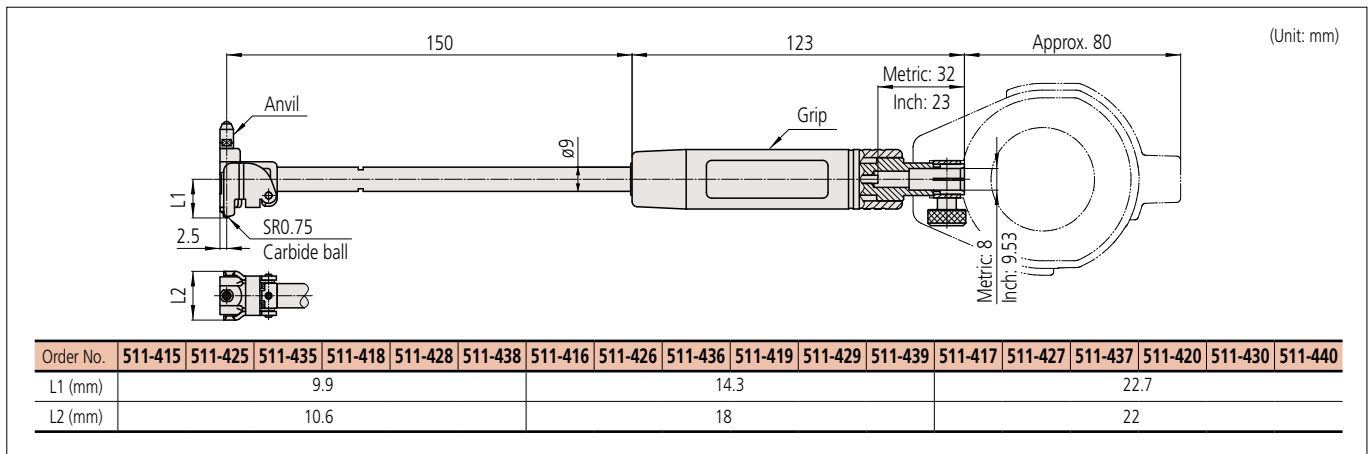
511-427

## For Bore Gage Applications



543-310B

## DIMENSIONS



### Mitutoyo Corporation

20-1, Sakado 1-Chome,  
 Takatsu-ku, Kawasaki-shi,  
 Kanagawa 213-8533, Japan  
 T +81 (0) 44 813-8230

www.bailer.it



e mail : info@bailer.it



Find additional product literature and our product catalogue

<http://www.mitutoyo.co.jp/global.html>

Note: All information regarding our products, and in particular the illustrations, drawings, dimensional and performance data contained in this pamphlet, as well as other technical data are to be regarded as approximate average values. We therefore reserve the right to make changes to the corresponding designs, dimensions and weights. The stated standards, similar technical regulations, descriptions and illustrations of the products were valid at the time of printing. Only quotations submitted by ourselves may be regarded as definitive. Our products are classified as regulated items under Japanese Foreign Exchange and Foreign Trade Law. Please consult us in advance if you wish to export our products to any other country. If the purchased product is exported, even though it is not a regulated item (Catch-All controls item), the customer service available for that product may be affected. If you have any questions, please consult your local Mitutoyo sales office.

Coordinate Measuring Machines

Vision Measuring Systems

Form Measurement

Optical Measuring

Sensor Systems

Test Equipment and Seismometers

Digital Scale and DRO Systems

Small Tool Instruments and Data Management